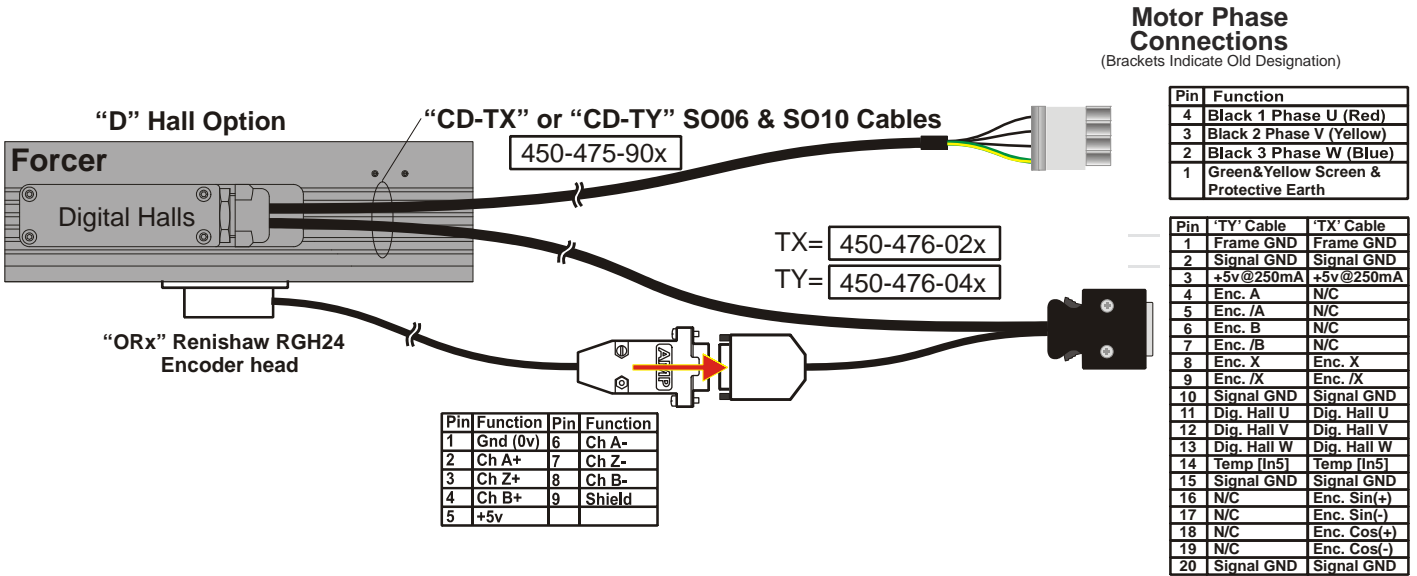
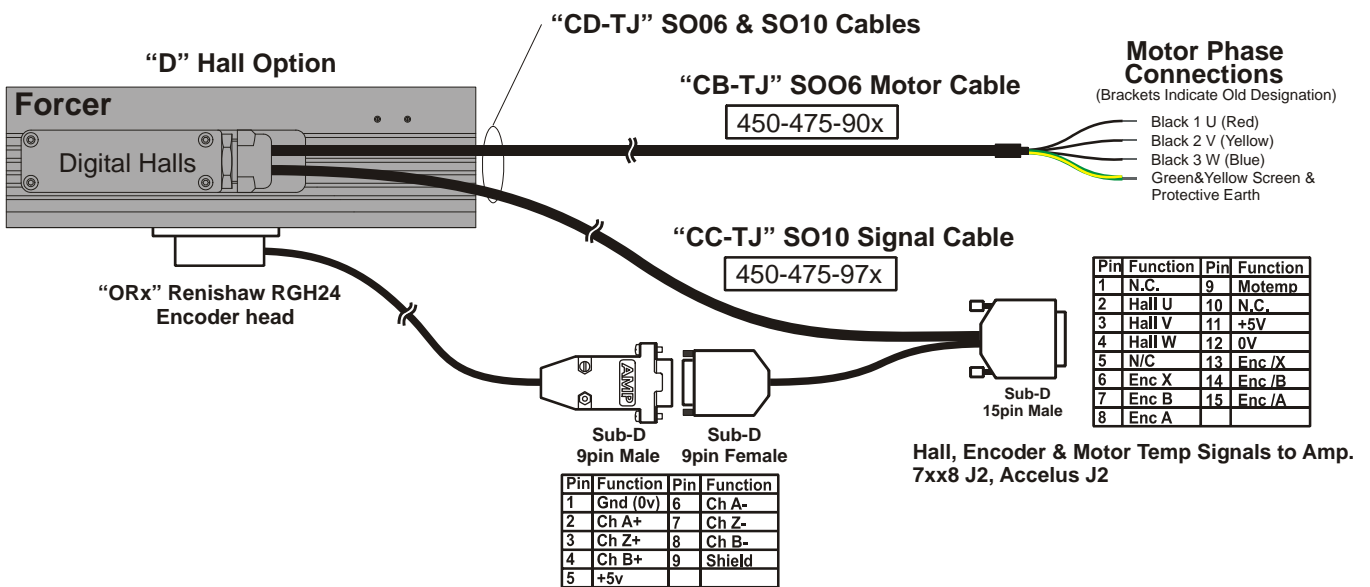


TB/TBX Forcer Connection Options (DS01067/D)

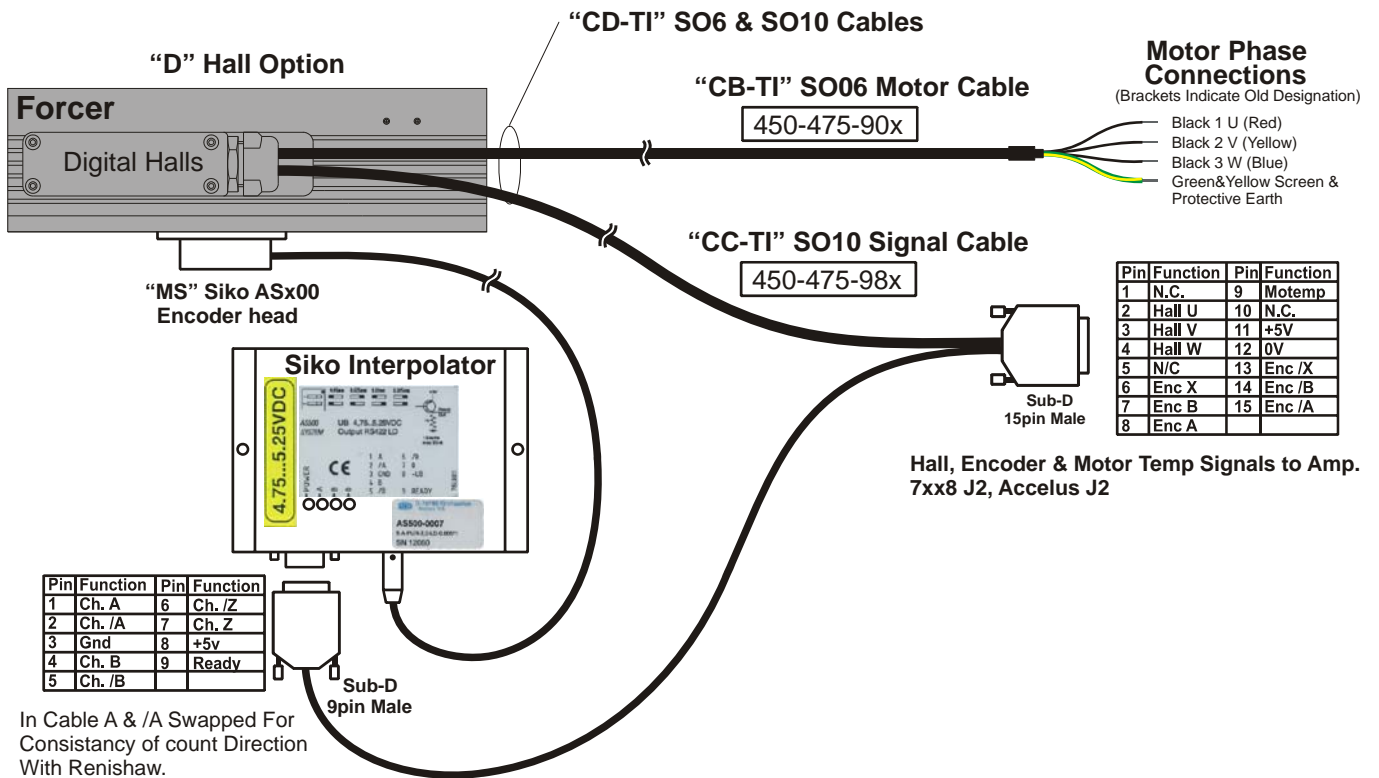
1. Xenus/Accelnet Connection Option ORx-D-TX/TY



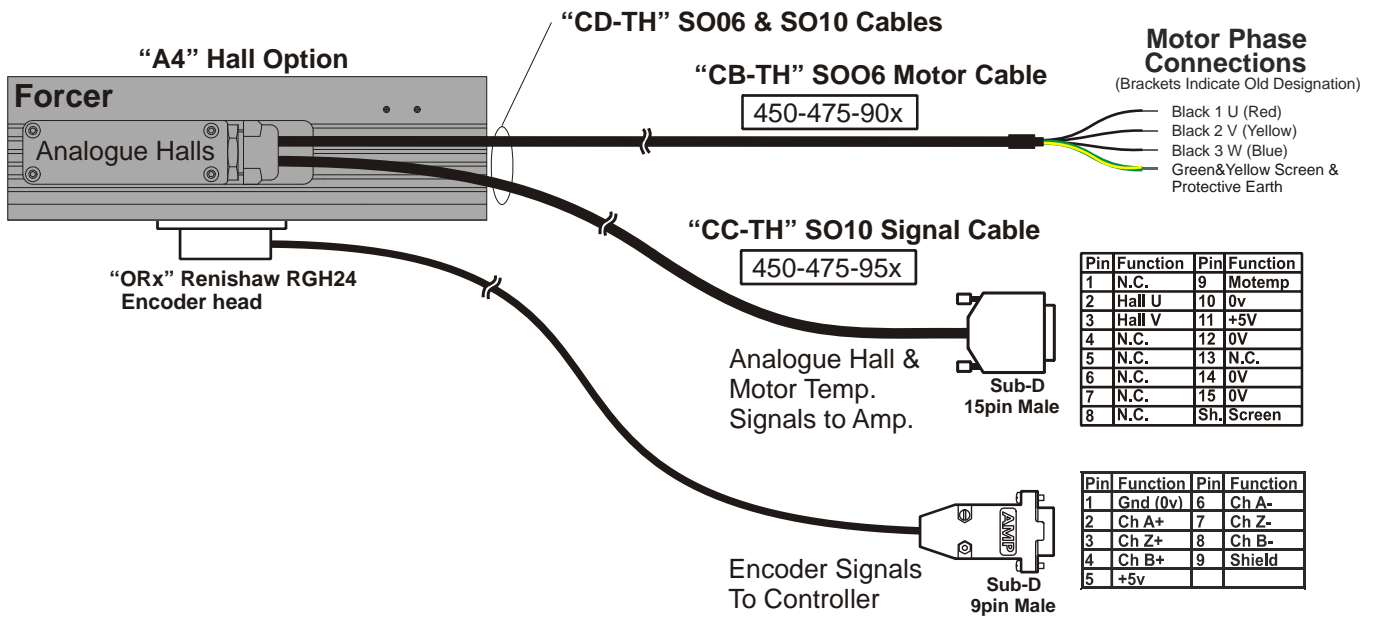
2. Accelus/7xx8 Connection Option ORx-D-TJ



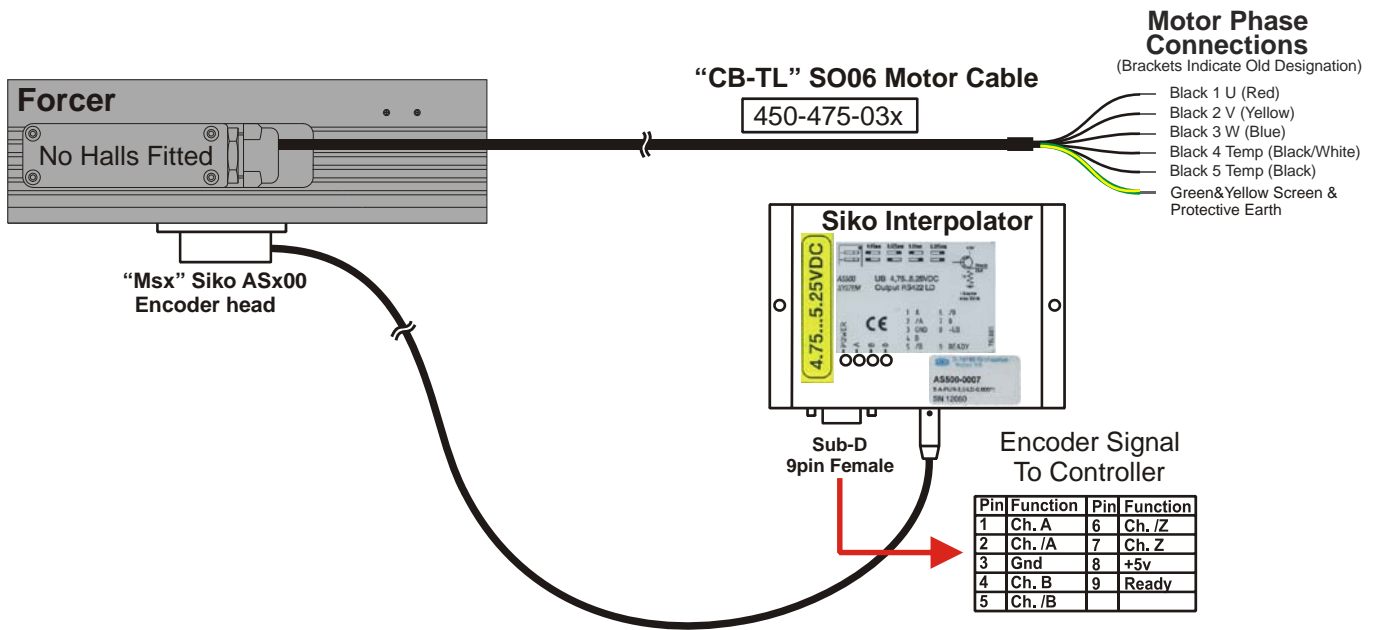
3. Accelus/7xx8 Connection Option MSx-D-TI



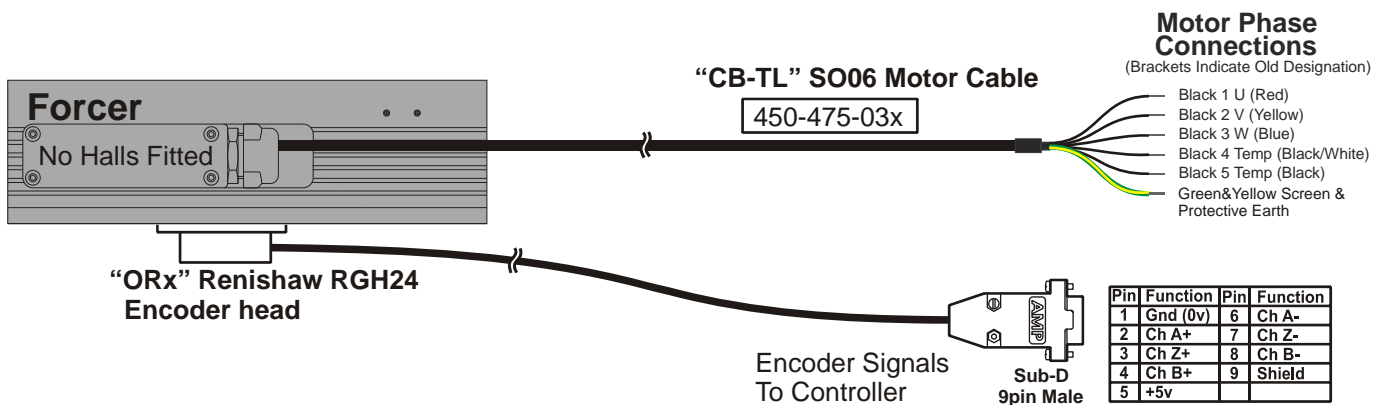
4. 7xx6 Connection Option ORx-A4-TH



5. 7xx5/No Halls Connection Option MSx-TL

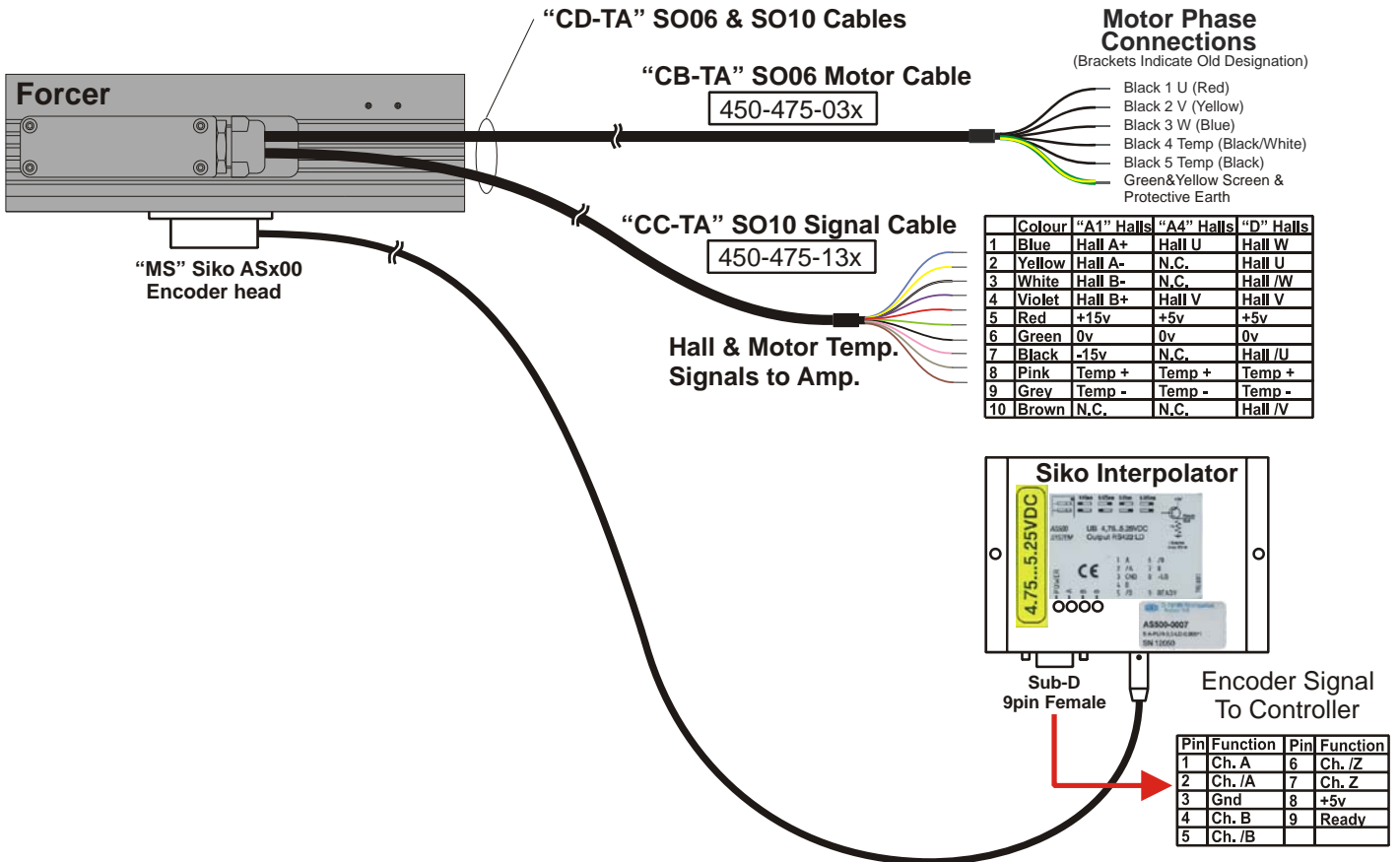


6. 7xx5/No Halls Connection Option ORx-TL



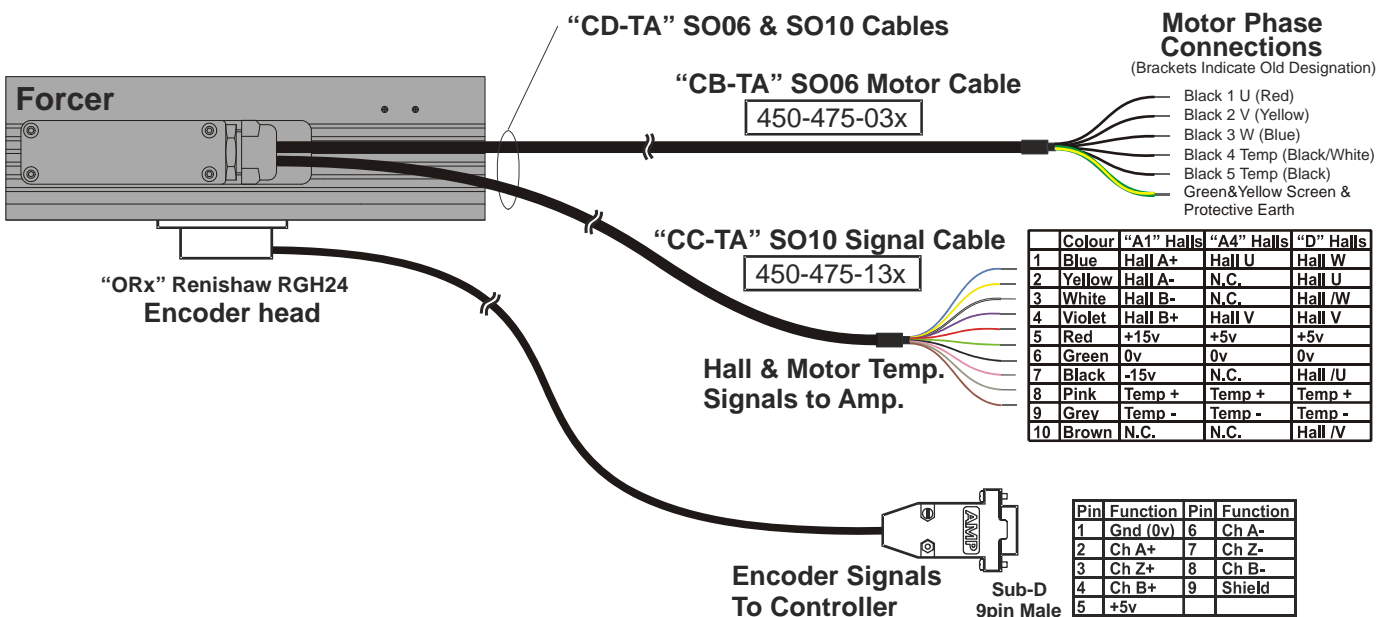
7. Flying Lead Connection Option MSx- Ax or D -TA

Note: 'Temp' Signals may be routed Through Either Motor or Hall Cables. Selectable in the Forcer Side pocket. It is not recommended to connect both options for noise reasons.

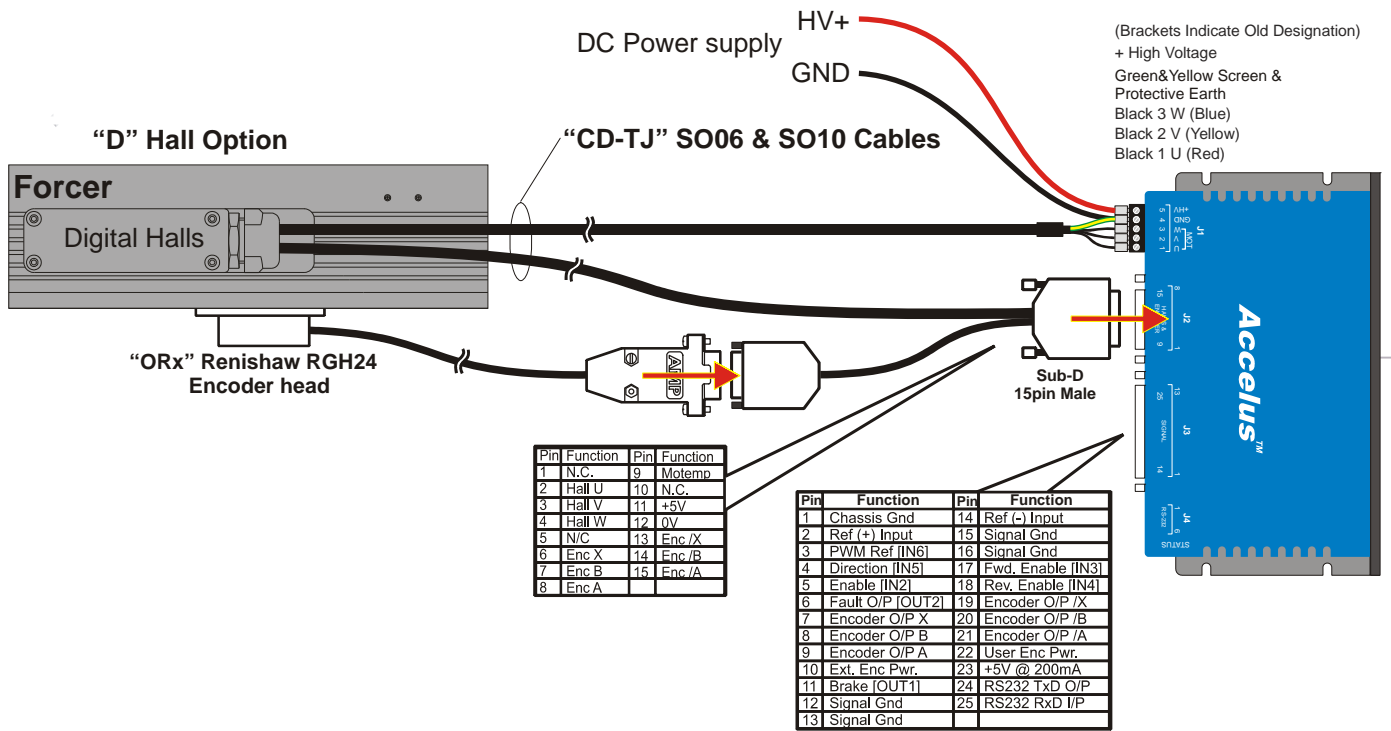


8. Flying Lead Connection Option ORx-Ax or D-TA

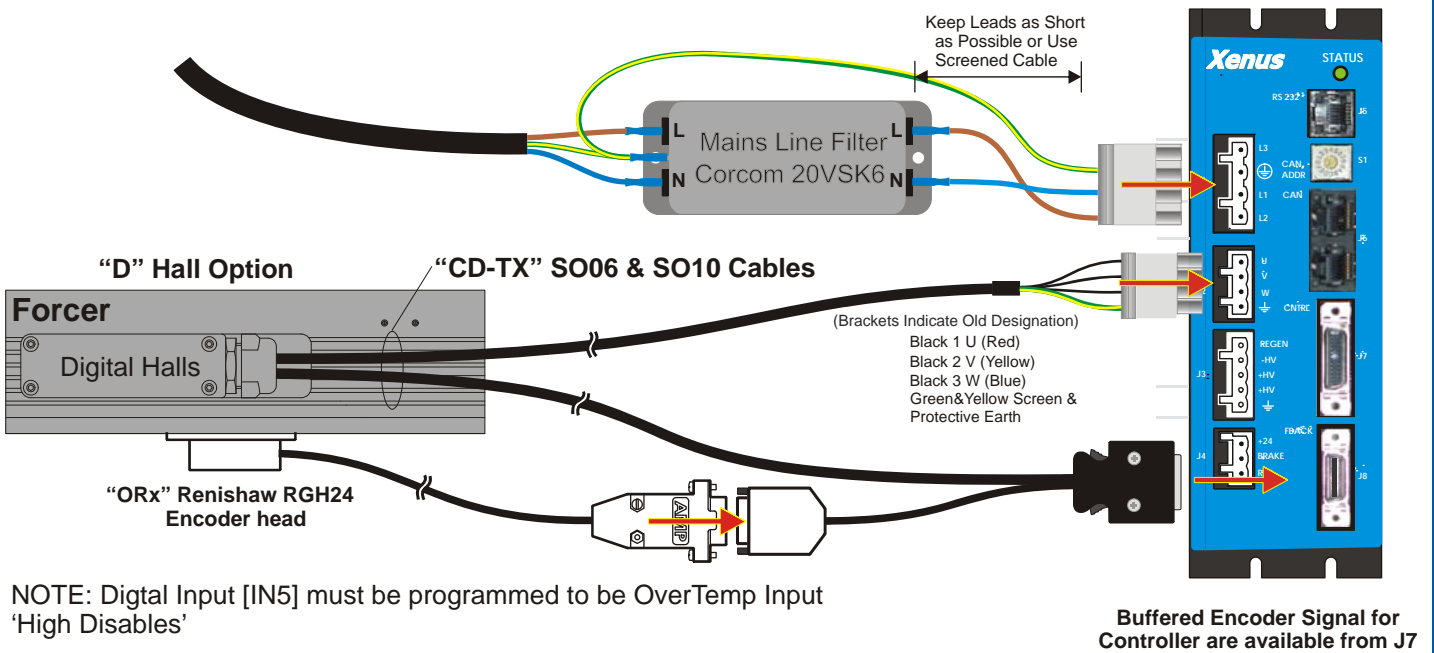
Note: 'Temp' Signals may be routed Through Either Motor or Hall Cables. Selectable in the Forcer Side pocket. It is not recommended to connect both options for noise reasons.



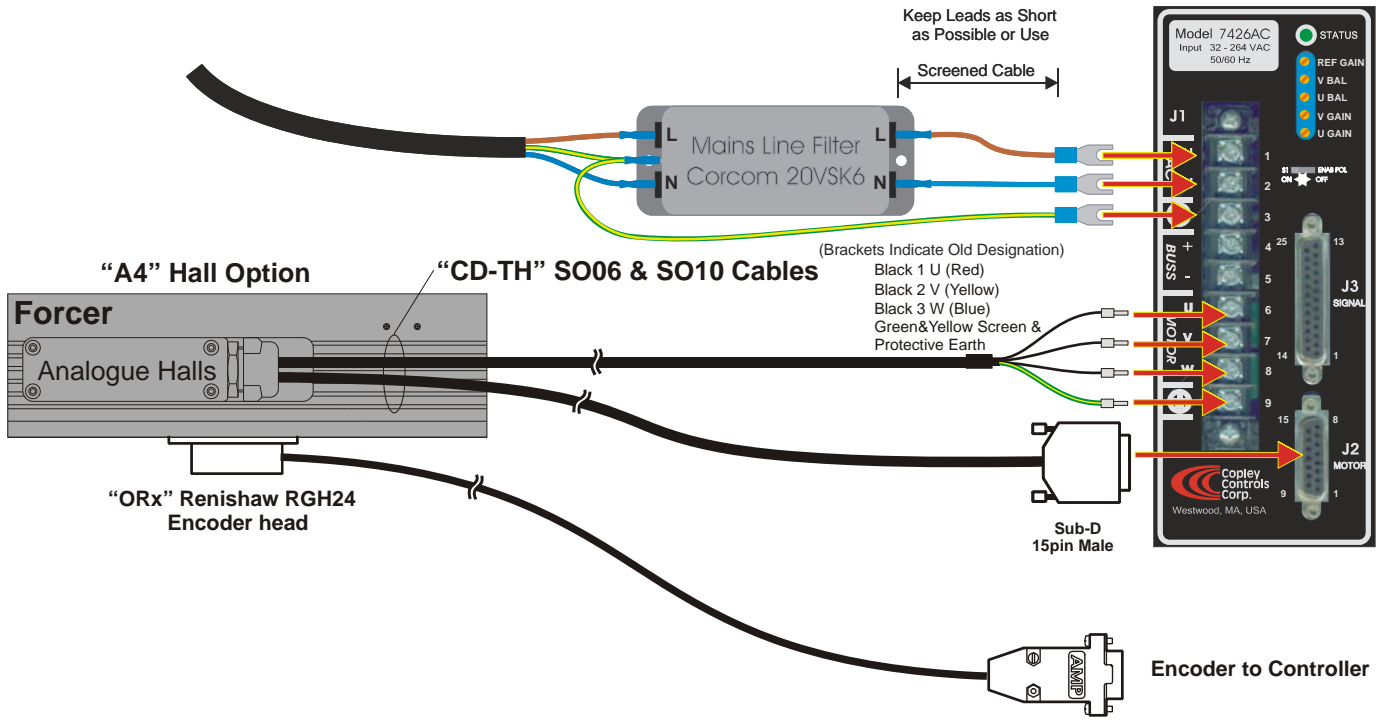
8. Standard Connection from TB/TBX to Copley Accelus Panel



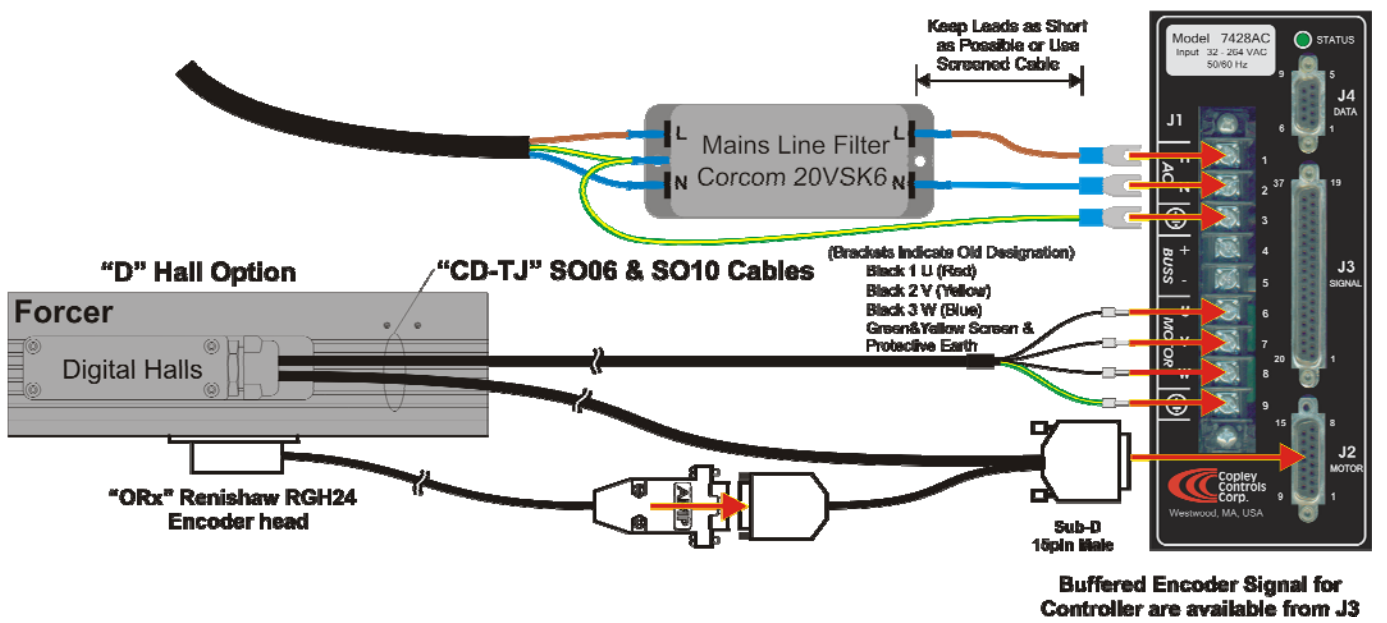
9. Standard Connection from TB/TBX to Copley Xenus



10. Standard Connection from TB/TBX to Copley 7xx6



11. Standard Connection from TB/TBX to Copley 7xx8



12. Notes:

12.1. Other Relevant Information

See the following documents for additional information, available from www.copleycontrols.com/motion/downloads/

DS01070 Motor Cable and Connection Details

DS01073 Hall Effect Commutation

DS01046 TB Motor Properties.

DS01047 TBX Motor Properties.

RG2 Encoder System, available from Renishaw

http://www.renishaw.com/client/ProdCat/prodcat_prdgrp_docs.asp?ID=115

RGH24 Readhead Datasheet: L-9517-0166

Encoder Strip Datasheet: L-9517-0160

12.2. RGH24 Operating and electrical specifications

Power supply	5V ±5%	120mA (typical) 150mA (RGH24Y and RGH24W)
Temperature		Storage -20°C to +70°C Operating 0°C to +55°C
Humidity		10 - 90% RH non-condensing
Sealing		IP40
Acceleration		operating 30g
Shock (non-operating)		100g, 11ms, 1/2 sine
Vibration (operating)		10g 55 to 2000Hz as per IEC 68-2-6
Weight		Readhead 11g Cable 34g/m
EMC compliance (system)		BS EN 50081-2, BS EN 50082-2, BS EN 55011 (cable versions only)
Cable		Ø4.2mm integral double shielded cable as standard. Flex life >20 x 10 ⁶ cycles at 20mm bend radius